



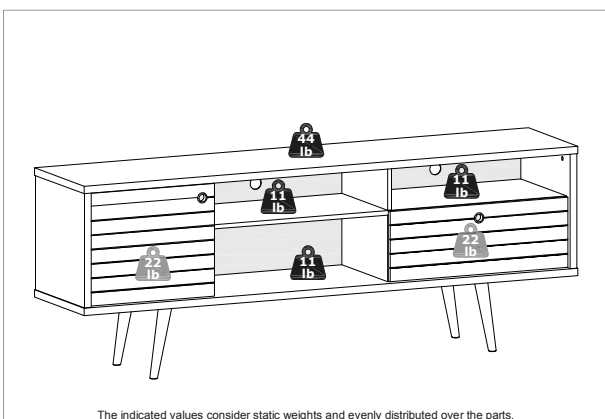
MANHATTAN
COMFORT

888-230-2225
help@manhattancomfort.com

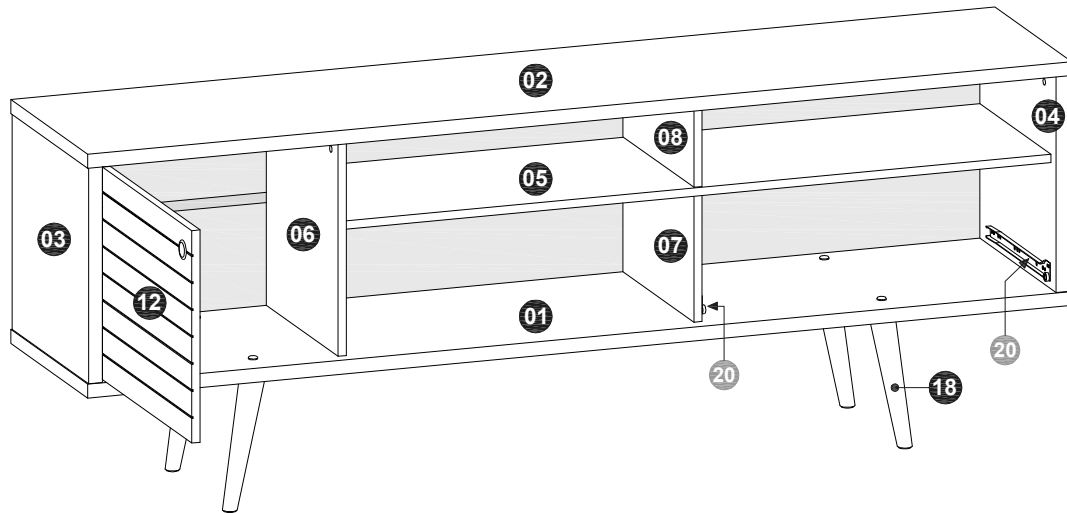


Liberty TV Stand 70.86

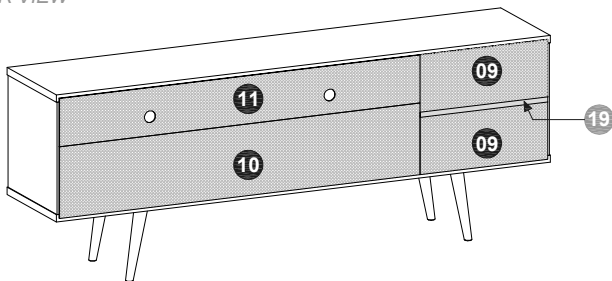
Model # 202AMC6, 202AMC63, 202AMC64, 202AMC67, 202AMC69,
202AMC8, 202AMC9, 202AMC93, 202AMC94, 202AMC96, 202AMC97



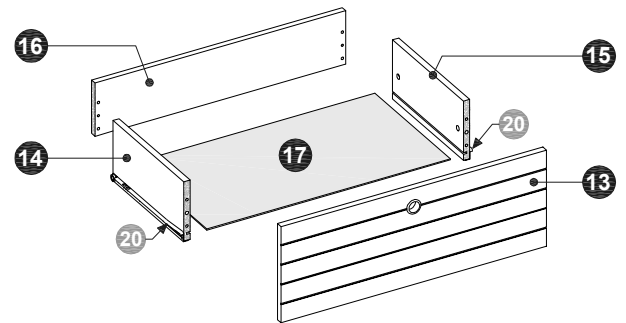
INCLUDED IN THE PACKAGE



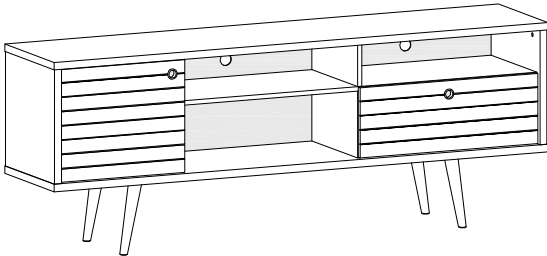
REAR VIEW



DRAWER



FRONT VIEW / FINAL APPEARANCE



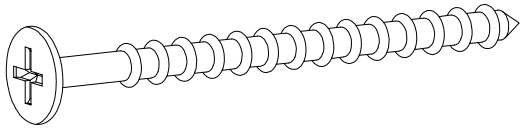
n.° ID	Parts Identification (Description)	Quantity
01	Base	1
02	Top Panel	1
03	Left Side Panel	1
04	Right Side Panel	1
05	Shelf	1
06	Left Partition	1
07	Lower Right Partition	1
08	Upper Right Partition	1
09	Left Back Panel	2
10	Lower Right Back Panel	1
11	Upper Right Back Panel	1
12	Door	1
13	Front of the Drawer	1
14	Left Side Panel of the Drawer	1
15	Right Side Panel of the Drawer	1
16	Rear Panel of the Drawer	1
17	Base of the Drawer	1
18	Wood Feet	4
19	Plastic Profile "H" 465mm	1
20	Metallic slide 300mm (pair)	1

TOOLS NEEDED



INCLUDED IN THE HARDWARE

A 4x



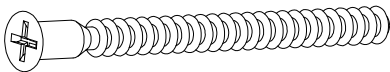
B 4x



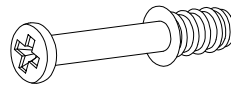
C 32x



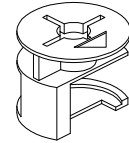
D 9x



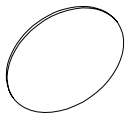
E 15x



F 15x



G 12x



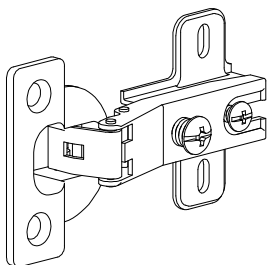
H 18x



I 70x



J 2x



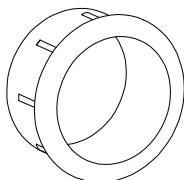
K 8x



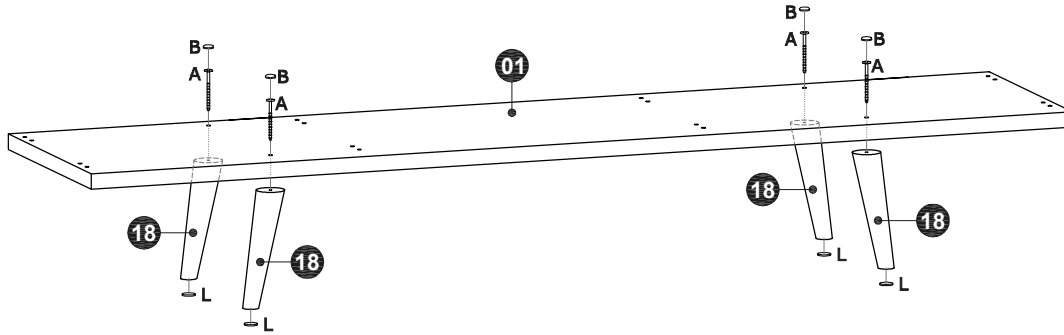
L 4x



M 2x

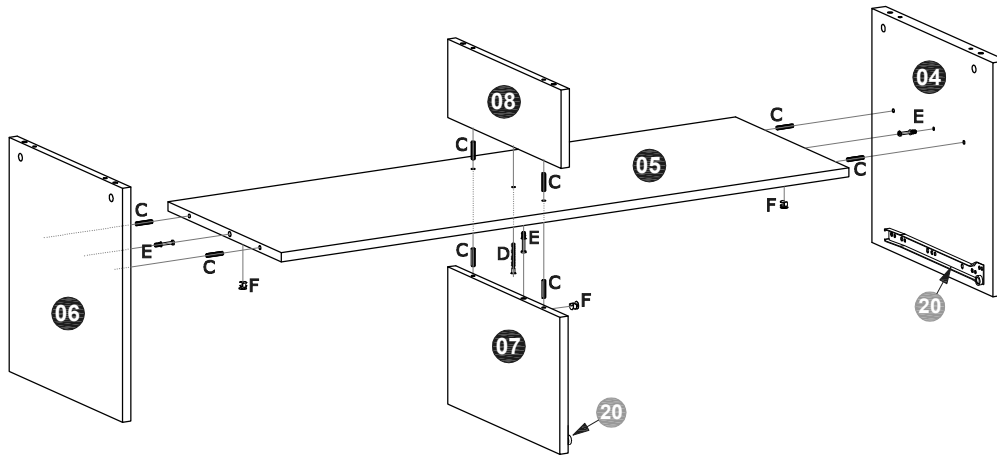


STEP 1



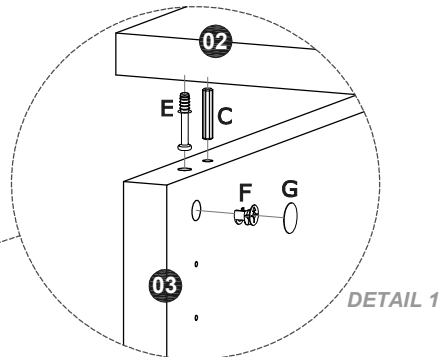
- Fix the feet (18) under the Base (01) with bolts (A).
- Apply the protective felt (L) on bottom of the feet (18).
- Apply the plastic covers (B) on top of the bolts (A).

STEP 2

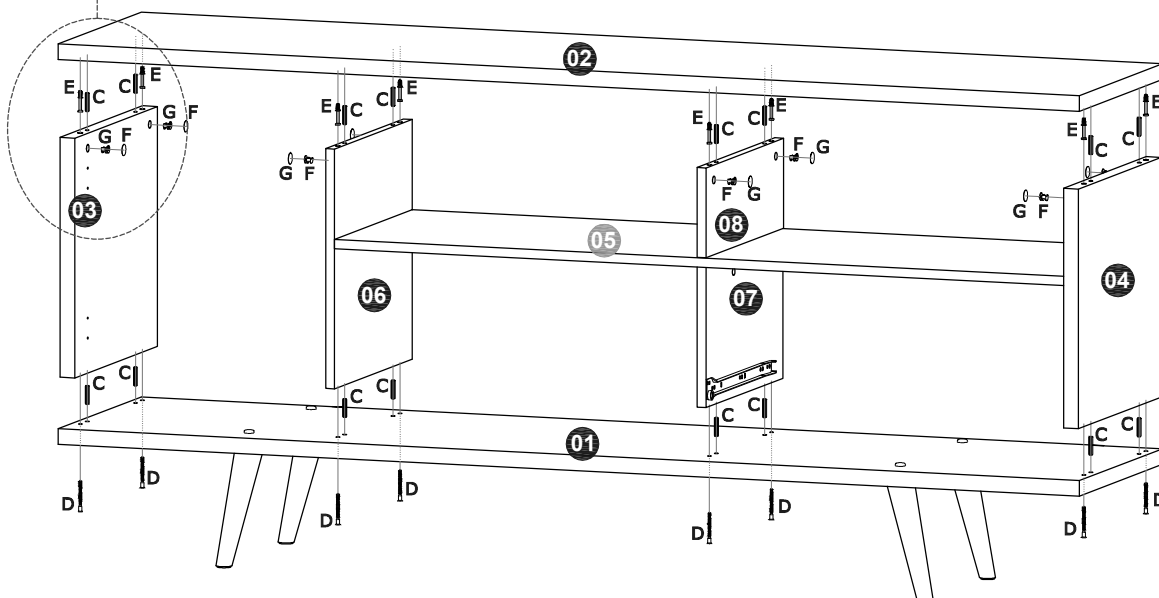


- Connect Partition (08) onto Shelf (05) with dowels (C) and bolt (D).
- Connect the parts (04), (06) and (07) into the Shelf (05) with dowels (C) and cam lock hardware (E + F).

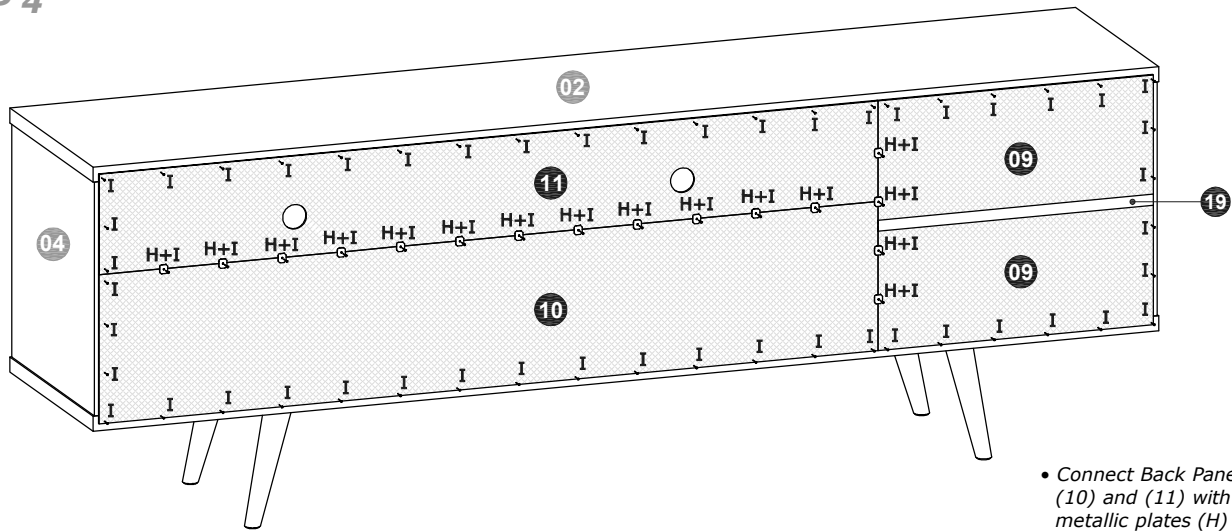
STEP 3



- Connect Side Panels and Partitions (03), (04), (06) and (07) onto the Base (01) with dowels (C) and bolts (D).
- Connect Top Panel (02) onto the Side Panels and Partitions (03), (04), (06) and (08) with dowels (C) and cam lock hardware (E + F).
- After fixing, apply the adhesive covers (G).

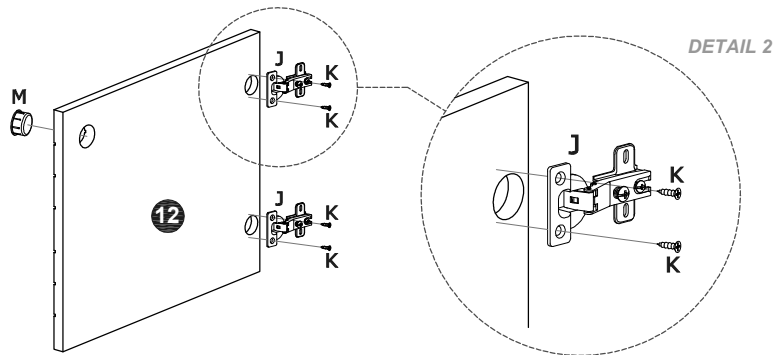


STEP 4



- Connect Back Panels (09), (10) and (11) with nails (I), metallic plates (H) and plastic profile (19).

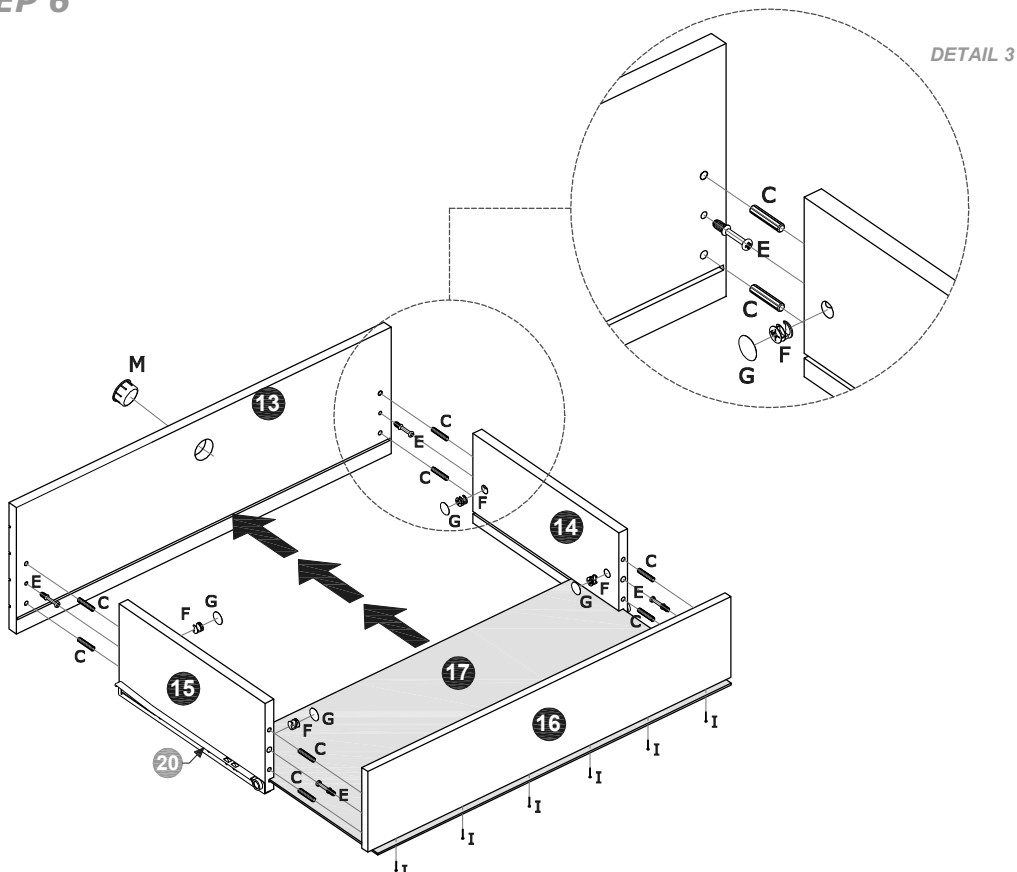
STEP 5



Preparing the Door (12):

- Insert the plastic ring (M) in the Door (12).
- Fix the hinges (J) in the Door (12) with bolts (K), as shown in the DETAIL 2.

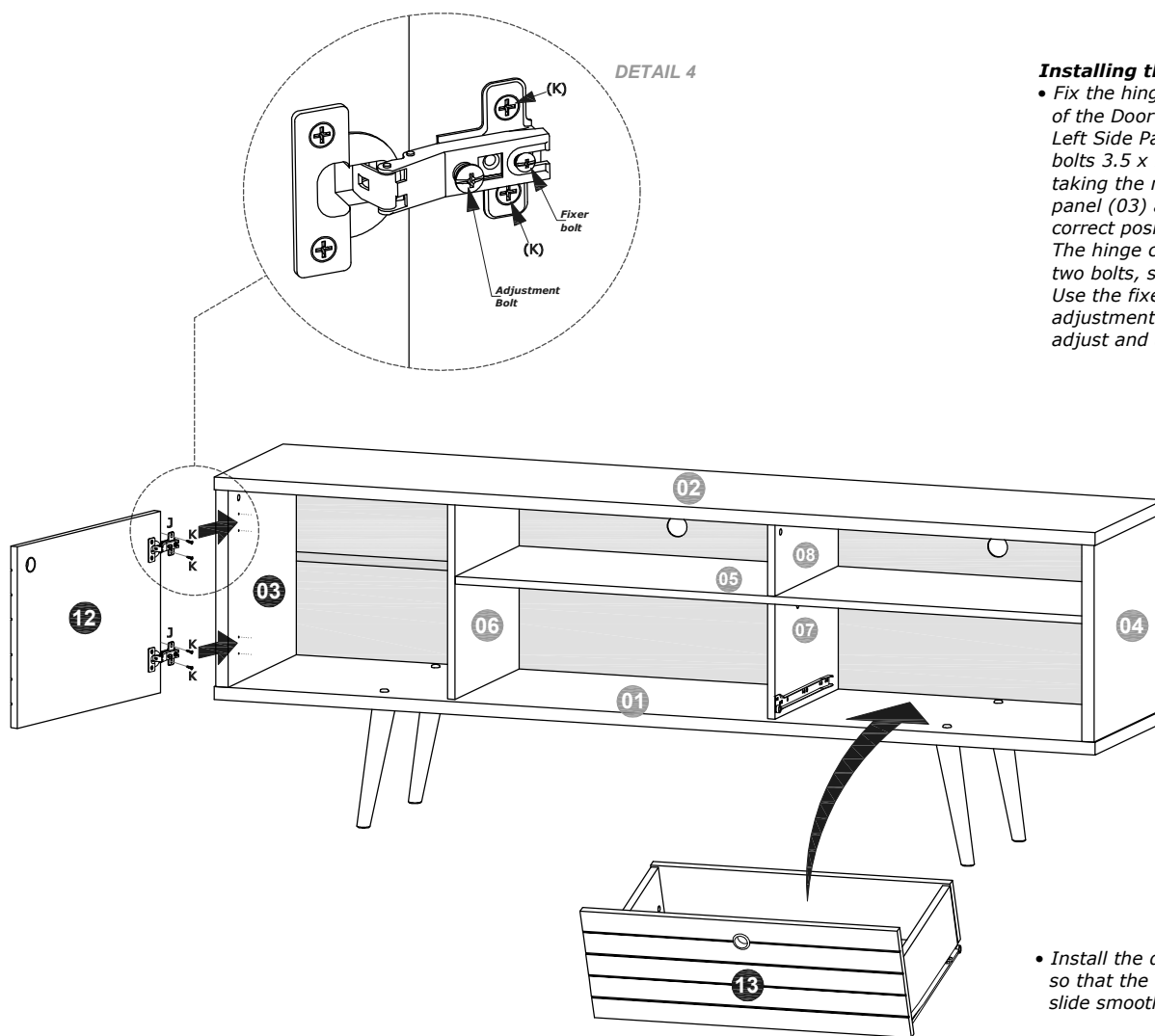
STEP 6



Preparing the Drawer:

- Connect the parts (13), (14), (15) and (16) with dowels (C) and cam lock hardware (E + F), as shown in the DETAIL 3.
- Apply the adhesive covers (G).
- Insert the plastic ring (M) in the Front drawer (13).
- Insert the Base of the drawer (17) into the channel in the Side Panels (14) and (15) and in the Front of the drawer (13), and fix it at the lower edge of the Rear Panel of the drawer (16) with nails (I).

STEP 7



DETAIL 4

Installing the Door (12):

- Fix the hinge connectors (J) of the Door (12) on the Left Side Panel (03) with bolts 3.5 x 14mm (K), taking the markings on the panel (03) as reference for correct positioning. The hinge connector includes two bolts, shown in DETAIL 4. Use the fixer bolt and the adjustment bolt to tighten, adjust and align the door.

- Install the drawer, fitting it so that the metallic slides slide smoothly.