

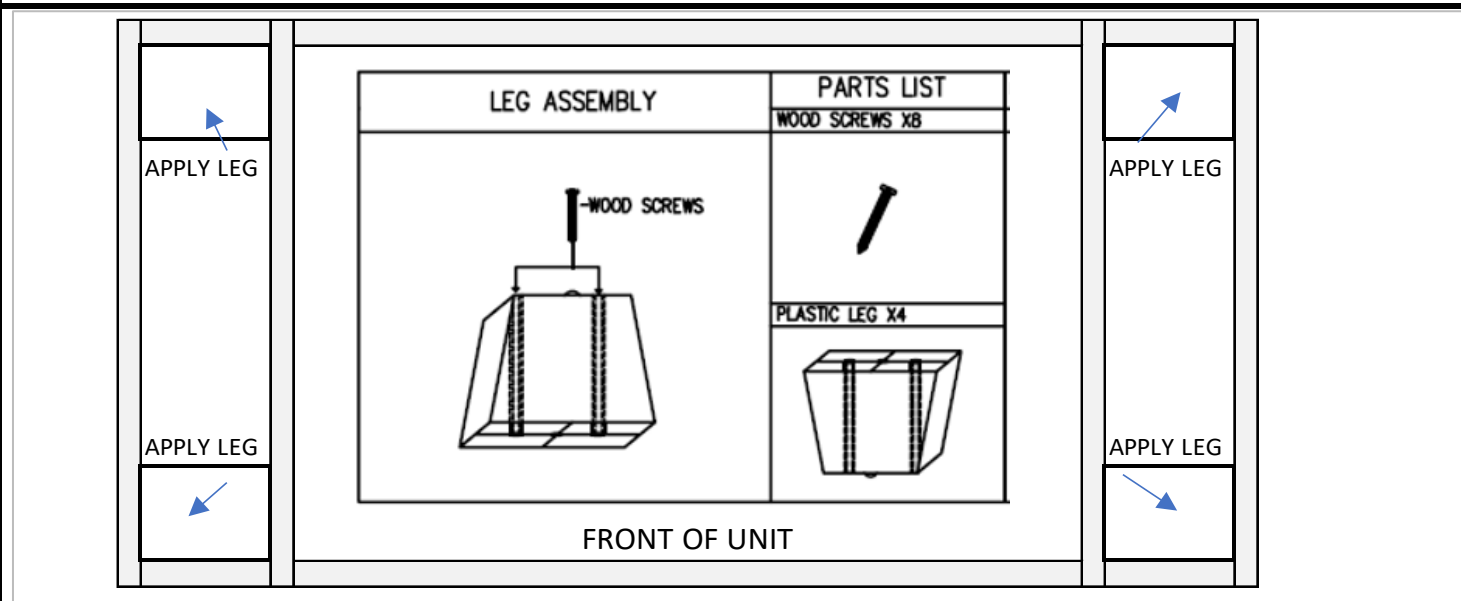


# Assembly Instructions

416-00 Sofa Unit

Mfg. by ALBI for Rooms To Go **SKU # 10141810-10141822-10141834**

Hardware	Size	Qty
HEX HEAD SCREWS	2 "	8
PLASTIC LEGS -#890P	5"W x 5"L x 4.375"H	4



The plastic legs should be evenly aligned on each corner of the unit, approximately 1/4" - 3/8 " from each edge. Place 2 screws, one in each of the screw hole. Secure the legs to the frame using a hex-head screwdriver bit and a power drill.

**Assembly Tools needed, but not included** - Hex-Head screwdriver bit, and power drill.

**Hardware Pack Location** Hardware can be located in the cushion seating area, inside of a colored bag.

**Sofa** SKU # 10141810-10141822-10141834

**Version # 1**

**Date: 2/8/2023**

Page 1